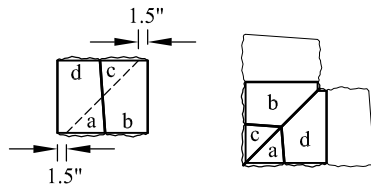
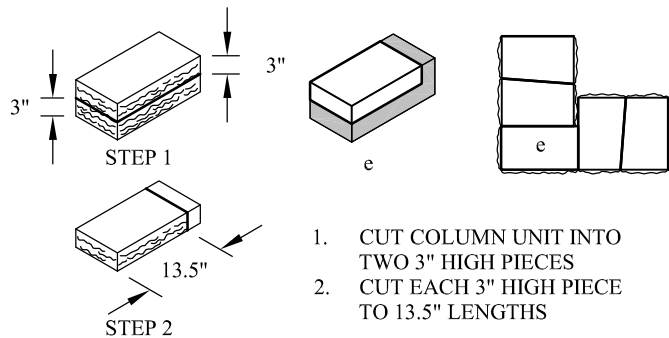


1. CAREFULLY CUT ALONG LINE TO PRESERVE BOTH SIDES OF THE CUT
2. FLIP PIECES "B" AND "D" OVER TO CREATE CORNER

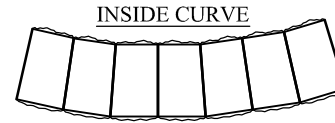
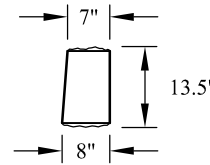


CORNER

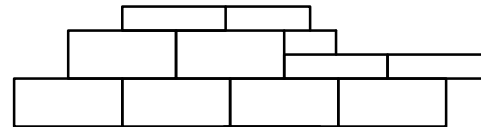
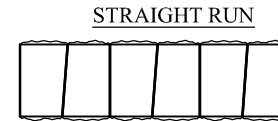


ALTERNATE CORNER

1. CUT COLUMN UNIT INTO TWO 3" HIGH PIECES
2. CUT EACH 3" HIGH PIECE TO 13.5" LENGTHS



OUTSIDE CURVE



WALL FACE

1. ALWAYS START CAPPING WALL FROM THE LOWEST ELEVATION.
2. LAY OUT CAPS PRIOR TO USING ADHESIVE.
3. CUT CAPS TO FIT. OCCASIONAL CUTTING WILL BE NECESSARY FOR RADII OTHER THAN APPROXIMATELY 7.5 FEET.
4. ALTERNATE SHORT AND LONG CAP FACES EVERY OTHER CAP TO ACHIEVE A STRAIGHT ROW OF CAPS.
5. USE EXTERIOR-GRADE CONSTRUCTION ADHESIVE TO SECURE CAPS.



Anchor Wall Engineering, LLC
5959 Baker Road, Suite 390
Minnetonka, MN 55345

These graphic representations are intended for preliminary design purposes only and are not to be used for construction without the signature of a registered professional engineer.

© 2009 Anchor Wall Engineering, LLC
® and ™ Anchor Wall Systems, Inc.

Drawn By: _____
Date: 4/17/2009
Scale: None

Drawing Title: _____
Project Information: _____

BelAir Wall™ / Lafayette™ Wall
Cap Block Details

Typical Details For
Conventional Retaining Walls